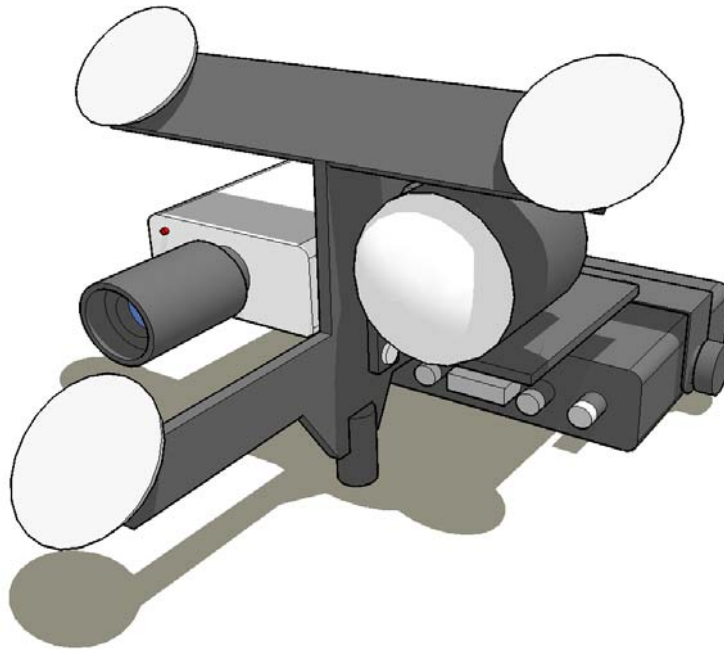


## RAPTOR $\alpha$ speed measuring system – DataSheet



Camera		
1	Image sensor	1/3" Progressive scan RGB CCD
2	Lens	Varifocal 5-50 mm, manual D/N
2	Minimum illumination	Color: 0.65 lux, F1.0 B/W: 0.08 lux, F1.0
3	Shutter time	1/25000 s to 2 s
4	Video compression	MPEG-4 Part 2 (ISO/IEC 14496-2) Motion JPEG
5	Resolutions	160x120 – 640x480
6	Frame rate	MPEG-4 Up to 30 fps at 640x480, 60 fps at 320x240 Motion JPEG Up to 45 fps at 640x480, 60 fps at 480x360
7	Casing	metal
8	Power	7 – 24 V DC, max 5.5 W 10 – 24 V AC, max 7.5 VA
9	Connectors	RJ-45, RS-232
10	Operating conditions	0 – 50 °C Humidity 20 – 80% RH (non-condensing)
11	Approvals	EN 55022 Class B, EN 55024, EN 61000-3-2, EN 61000-3-3, EN 61000-6-1, EN 61000-6-2, FCC Part 15 Subpart B Class B, VCCI ClassB, C-tick AS/NZS CISPR22, ICES-003 ClassB, EN 60950-1
12	Weight	550 g

Speed Measuring Device		
1	Accuracy	Stationary: -+ 1,6 km/h; Moving: -+ 3,2 km/h
2	Target Speed Range	16 - 340 km/h
3	Patrol Speed Range	8 - 160 km/h
4	Measuring Mode	Bidirectional
5	Speed Sampling Rate	100 Sample / Sec.
6	Operating Frequency	24.150 GHz -+ 50 MHz
7	Beam Width	12° nominal
8	Power Output	10 mW nominal
9	Operating Temperature	-30°C - +70°C
10	Weight	1 kg

Console		
1	Weight	1,2 kg
2	Max. Load	6 kg
3	Material	Aluminium

Notebook		
1	Processor	Intel Pentium 1.6 GHz Core2Duo
2	Memory	2 GB DDR2 SDRAM
3	Storage	160 GB SATA
4	Optical Drive	DVD RW
5	Display	15.4" WXGA 1280x800
6	Ports	RJ-45, 3 USB 2.0
7	Communications	WLAN: 802.11n, BlueTooth: 2.0
8	Battery	6 cell Li
9	Dimensions	358.0 x 266.8 x 32.3 mm
10	Weight	2.49 kg
11	Power Supply	65W

Software		
1	Functions	Speed Measuring, Licence Plate Recognition, Hungarian Police Interface
2	Operation System	MS Windows XP
3	Framework	.NET framework 3.5
4	Database	MS SQL 2005 Express
5	Engine	ARH Freeflow 7.1
6	Min. Resolution	800x400
7	Min. Memory	512 MB (XP)

GPS/GPRS modem		
1	Processor	ARM 946, 32 bit, 104 MHz
2	Memory	internal: 32 Mb Flash, 8 Mb PSRAM
3	Communication	UART
4	Datatransfer	GSM standard, SMS, CSD, GPRS cl10, EDGE cl10
5	Dimensions	73x54,4x25,5 mm
6	Power Supply	12 V/9W

GPS antenna		
1	Frequency range	1575,42 MHz +/- 1, 023 MHz
2	Amplification	26 dB +/- 3 dB
3	Gain	2 dBic min.
4	Noise Figure	> 12 dB
5	Dimensions	39x39x14 mm
6	Connectors	MMCX
7	Weight	65 g

GPRS antenna		
1	Frequency lane	AMPS: 824-894 MHz GSM 900: 880-960 MHz GSM 1800: 1710-1880 MHz GSM 1900: 1850-1990 MHz UMTS: 1920-2170 MHz
2	Dimensions	45x8 mm
3	Connectors	SMA

